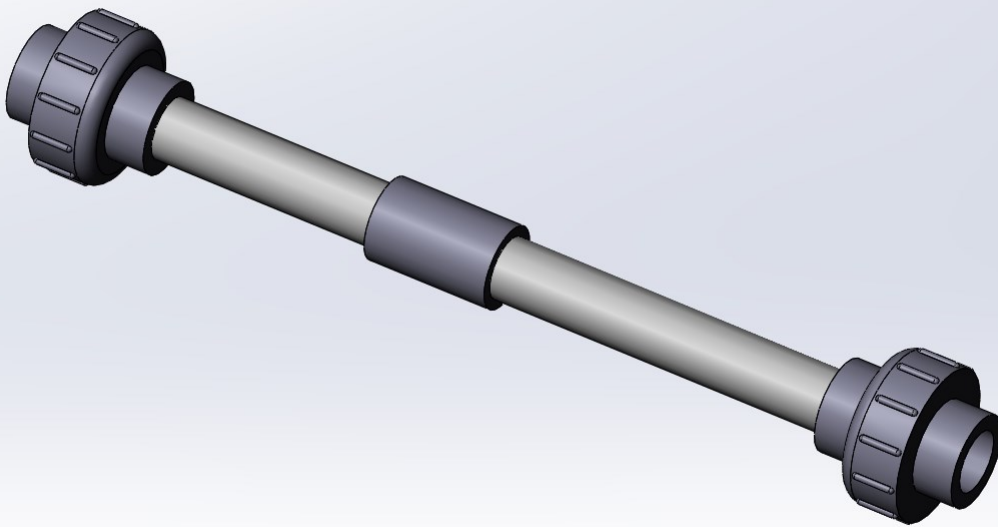




H2O Rx

2850 Series Static Mixer

H2O Rx has a license to manufacture Westfall Manufacturing's 2800 and 2850 Series static mixers.



Features

- ◆ uPVC and ABS Construction for excellent chemical compatibility
- ◆ Solvent Weld Joint Union ends for ease of installation
- ◆ Mixing completed at discharge
- ◆ Wide range of flows
- ◆ Wide range of performance and headloss selections
- ◆ Union O-Rings as Viton (standard). Other materials on request
- ◆ Made in Australia
- ◆ Custom configurations available

H2O Rx

PO Box 748

Lane Cove NSW 1595

Phone: 0409 784 236

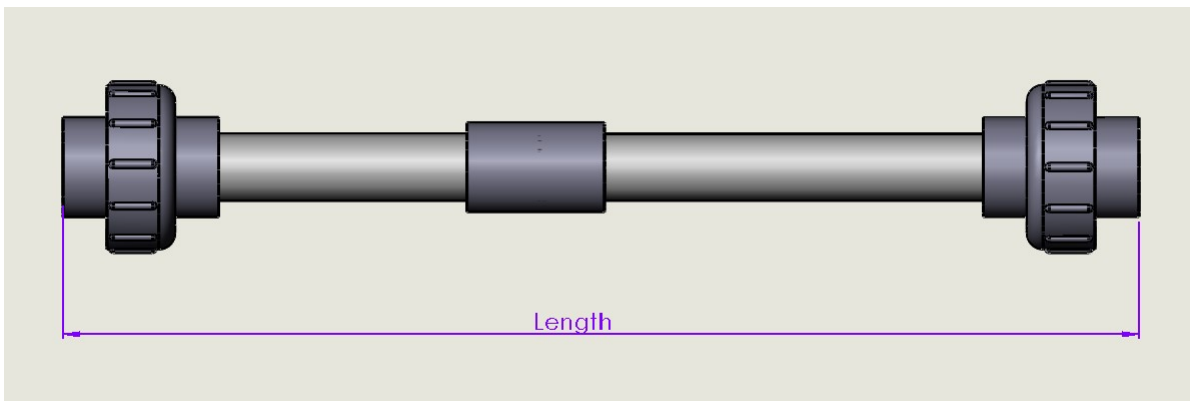
Web: www.h2orx.com.au

Email: info@h2orx.com.au



2850 Series Static Mixer

Size (DN)	Length (mm)	Beta	Recommended Flow Range (L/s)	Headloss Coefficient (kV)	Headloss (Water) @ Max flow (kPa)	Mixing Efficacy (CoV)	Part Number
20	428	0.7	0.12 — 0.36	32.59	14	0.008	2850SM-20-0.7
		0.8	0.36 — 0.95	13.63	40	0.009	2850SM-20-0.8
		0.9	0.95 — 1.3	6.78	37	0.05	2850SM-20-0.9
25	492	0.7	0.2 — 0.6	32.59	15	0.008	2850SM-25-0.7
		0.8	0.6 — 1.4	13.63	35	0.009	2850SM-25-0.8
		0.9	1.4 — 2.0	6.78	35	0.05	2850SM-25-0.9
50	762	0.7	0.6 — 1.8	32.59	14	0.008	2850SM-50-0.7
		0.8	1.8 — 4.7	13.63	38	0.009	2850SM-50-0.8
		0.9	4.7 — 6.6	6.78	37	0.05	2850SM-50-0.9



FAQ's

How good is the mixing?

The Co-efficient of Variation (CoV) is the measure of how “homogenous” the fluid is at the mixer discharge. The smaller the CoV, the more homogenous the fluid is.

What is the headloss?

For simple checks we provide the headloss of each configuration at the maximum recommended flow rate.

What is the headloss at the flows I have?

We provide the headloss co-efficient (kV) for each mixer. This allows you to enter the kV in your system calculations and check the system as a whole and over a range of flows.